

Date:2009.1.13

Scanning Laser Range Finder
UBG-04LX-F01
-Rapid-URG-
Specifications
CODE:U09J003/UUBG110

$\Delta \times 1$	Mistakes Correction			4	2010/03/0	Uotani	PR-5788
Symbol	Amended Reason			Pages	Date	Corrector	Amendment No
Approved by	Checked by	Drawn by	Designed by	Title	Scanning Laser Range Finder		
MAEJIMA	MAEDA	YAMAMOTO	MAEDA		UBG-04LX-F01 Specifications		
				Drawing No.	C-42-3539A		1/6

1. General

UBG-04LX-F01 is a laser sensor for area scanning. The light source of the sensor is infrared laser of wavelength 785nm with laser class 1 safety. Scan area is 240° semicircle with maximum radius 4000mm. Pitch angle is 0.36° and sensor outputs the distance measured at every point (682 steps). Laser beam diameter is less than 20mm at 2000mm with maximum divergence 40mm at 4000mm.

Principle of distance measurement is based on calculation of the phase difference, due to which it is possible to obtain stable measurement with minimum influence from object's color and reflectance.

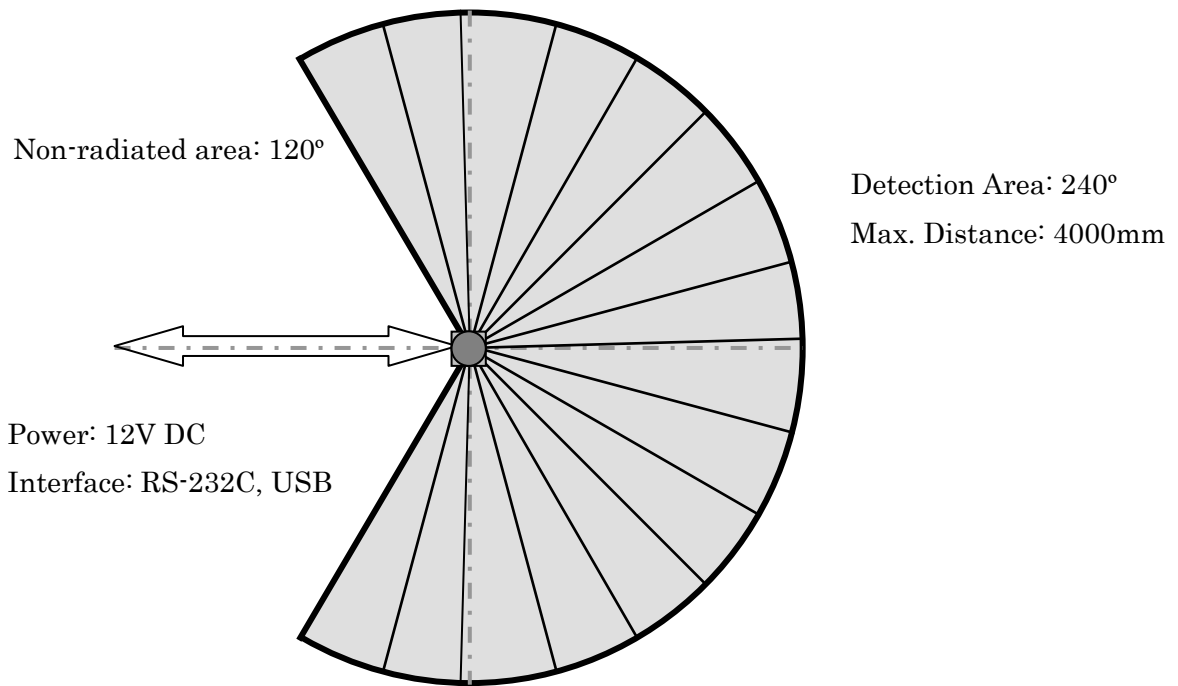


Figure 1

Note

Figure 1 shows the detectable area for white Kent sheet (80mm×80mm). Detection distance may vary with size and object.

2. Important Notice

This sensor is designed for indoor use only.

This sensor is not a safety device/tool

This sensor is not for use in military applications

Read specifications carefully before use.

Title	UBG-04LX-F01 Specifications	Drawing No	C-42-3539A	2/6
-------	-----------------------------	------------	------------	-----

3. Specifications

Product Name	Scanning Laser Range Finder
Model	UBG-04LX-F01
Light source	Semiconductor laser diode ($\lambda = 785\text{nm}$), Laser safety Class 1 (FDA) Laser Power: Less than 0.67mW (Class 1 is satisfied by rotating scanner)
Power source	12V DC $\pm 10\%$
Current consumption	370mA or less (Rush current 700mA)
Detection Distance Standard Object	Accuracy Range: 60 ~ 4,095mm Square Kent Sheet 80mm*
Accuracy	Refer Attached Data Sheet with the Product (Nominal Range 0.06 ~ 1m : $\pm 10\text{mm}^*$, 1 ~ 4m : 1% of Distance)*
Resolution	1 mm
Scan Angle	240°
Angular Resolution	0.36° (360° / 1024 steps)
Scan Time	28msec/scan
Interface	RS-232C (19.2, 57.6, 115.2, 500, 750kbps) USB 2.0 (Full Speed) OUTPUT 2 (Synchronous, Malfunction)
Ambient (Temperature/Humidity)	- 10 ~ +50°C, 85% or less (without dew and frost)
Preservation temperature	-25 ~ +75°C
Ambient Light Resistance	10000Lx or less
Vibration Resistance	Double amplitude 1.5mm 10 ~ 55Hz, 2 hours each in X, Y and Z direction, and 98m/s ² 55Hz ~ 150Hz in 2 minutes sweep, 1 hours each in X, Y and Z direction
Impact Resistance	196 m/s ² , 10 times each in X, Y and Z direction
Protective Structure	IP40
Insulation Resistance	10M Ω for DC 500Vmegger
Weight	Approx. 185 g (260g with 1m cable)
Case	Front Case: Polycarbonate, Back: PBT
External dimension (W×D×H)	60×60×75mm (Reference design sheet No. MC-40-3150)

*Under standard test conditions

4. Quality reference value

Operating Vibration resistance	19.6m/s ² , 10Hz ~ 150Hz with 2 minutes sweep, 0.5 hours each in X, Y and Z direction
Operating Impact resistance	49 m/s ² , 10 times each in X, Y and Z direction
Angular Speed	360 deg/s
Angular Acceleration	$\pi/2$ rad/s ²
Sound level	25db or less (at 300mm)
FDA	This product complies with 21 CFR parts 1040.10 and 1040.11. Accession Number:0820201-001

Title	UBG-04LX-F01 Specifications	Drawing No	C-42-3539A	3/6
-------	-----------------------------	------------	------------	-----

5. Interface

CN1 (8 Pins)

	Lead Color	UBG-04LX-F01
1	RED	FG
2	WHITE	ERR OUTPUT (Malfunction)
3	BLACK	OUTPUT (SYNCHRONOUS)
4	PURPLE	GND (9pin Dsub 5p)
5	YELLOW	RxD (9pin Dsub 3p)
6	GREEN	TxD (9pin Dsub 2p)
7	BLUE	0V
8	BROWN	DC 12V

Note

1. GND and 0V are connected inside the sensor
2. Attachment connector PHR-8 (JST Mfg. Company) is for test purpose only. Do not use it for any other purposes.

CN1 USB-mini (5 Pin)

Cable is not included. Use commercially available compatible unit.

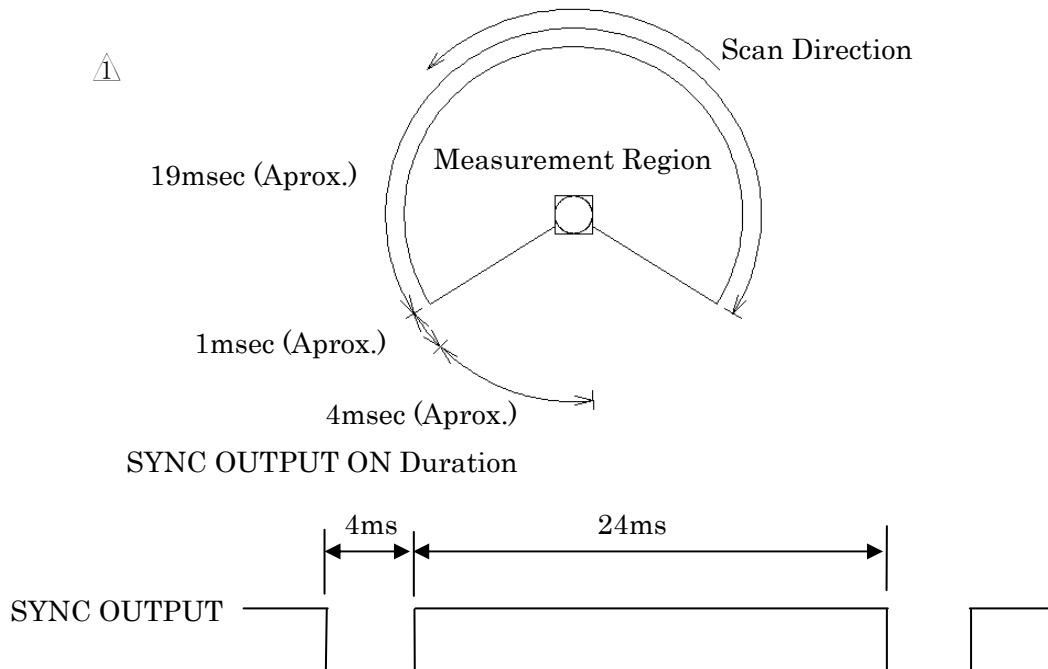
Note:

Communication Protocol: Refer document C-42-3320B

6. Signals

1. Synchronous signal:

Output one pulse in every scan for 4msec. See the figure below for the output timing.

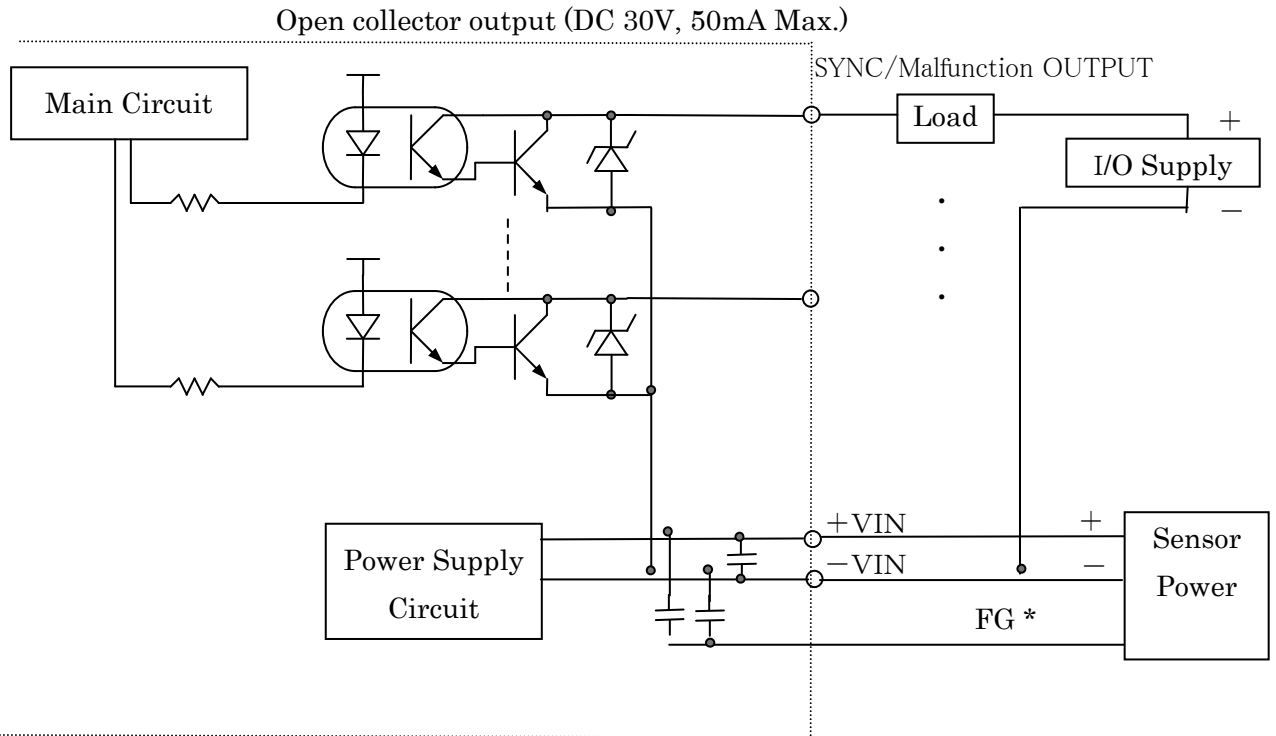


Title	UBG-04LX-F01 Specifications	Drawing No	C-42-3539A	4/6
-------	-----------------------------	------------	------------	-----

2. Error Signal:

All output signals are switched off in case of malfunction. Malfunction details can be checked with communication.

7. Output Circuit:



Note) Output COM is connected to -VIN internally.

* Connect the FG to the housing.

Title	UBG-04LX-F01 Specifications	Drawing No	C-42-3539A	5/6
-------	-----------------------------	------------	------------	-----

8. Notice:

- Supply voltage is DC 12Volts. Sensor will damage if high voltage is supplied.
- The maximum data step is 682points. Sensor's angular resolution is 0.3515625° ($360^{\circ} / 1024$ steps) and angular range is 239.765625° ($(682-1) \times 360 / 1024$)
- Angular range and resolution can be specified form the host. Read communication protocol specification for details.
- Sensor scans anticlockwise from top view.
- When RS232S connection is used, communication may not establish due to circuit or host incompatibility if baud rate is setting is more than 500Kbps.
- USB driver is communication device class (CDC) supported by standard operating system. The device is connected as a RS232C port with the same utility.

9. Firmware Update History

Firmware Version	Details

Title	UBG-04LX-F01 Specifications	Drawing No	C-42-3539A	6/6
-------	-----------------------------	------------	------------	-----